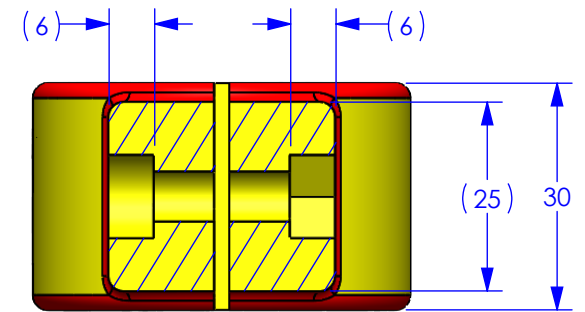
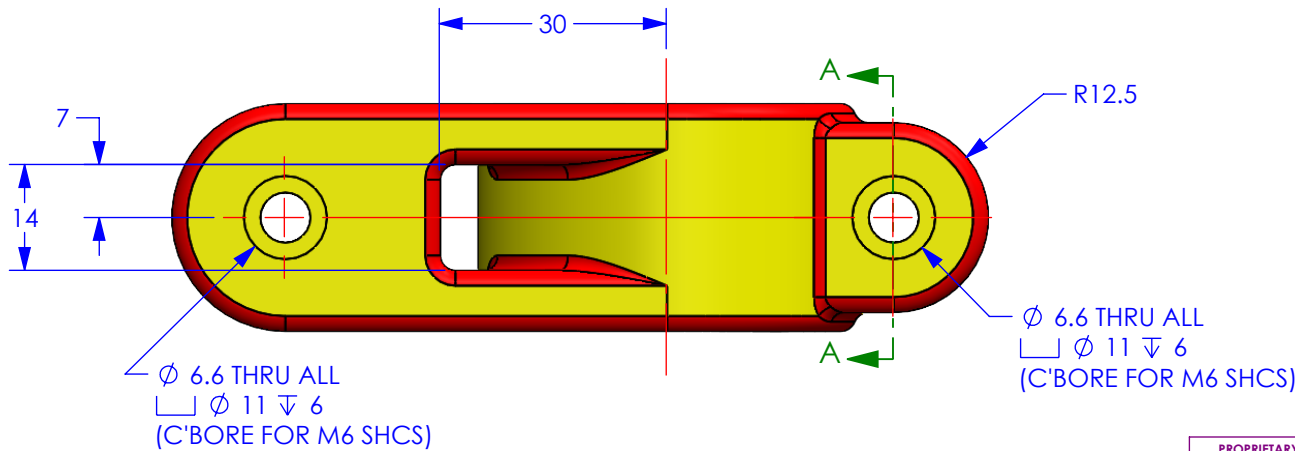


VIEW B



SECTION A-A

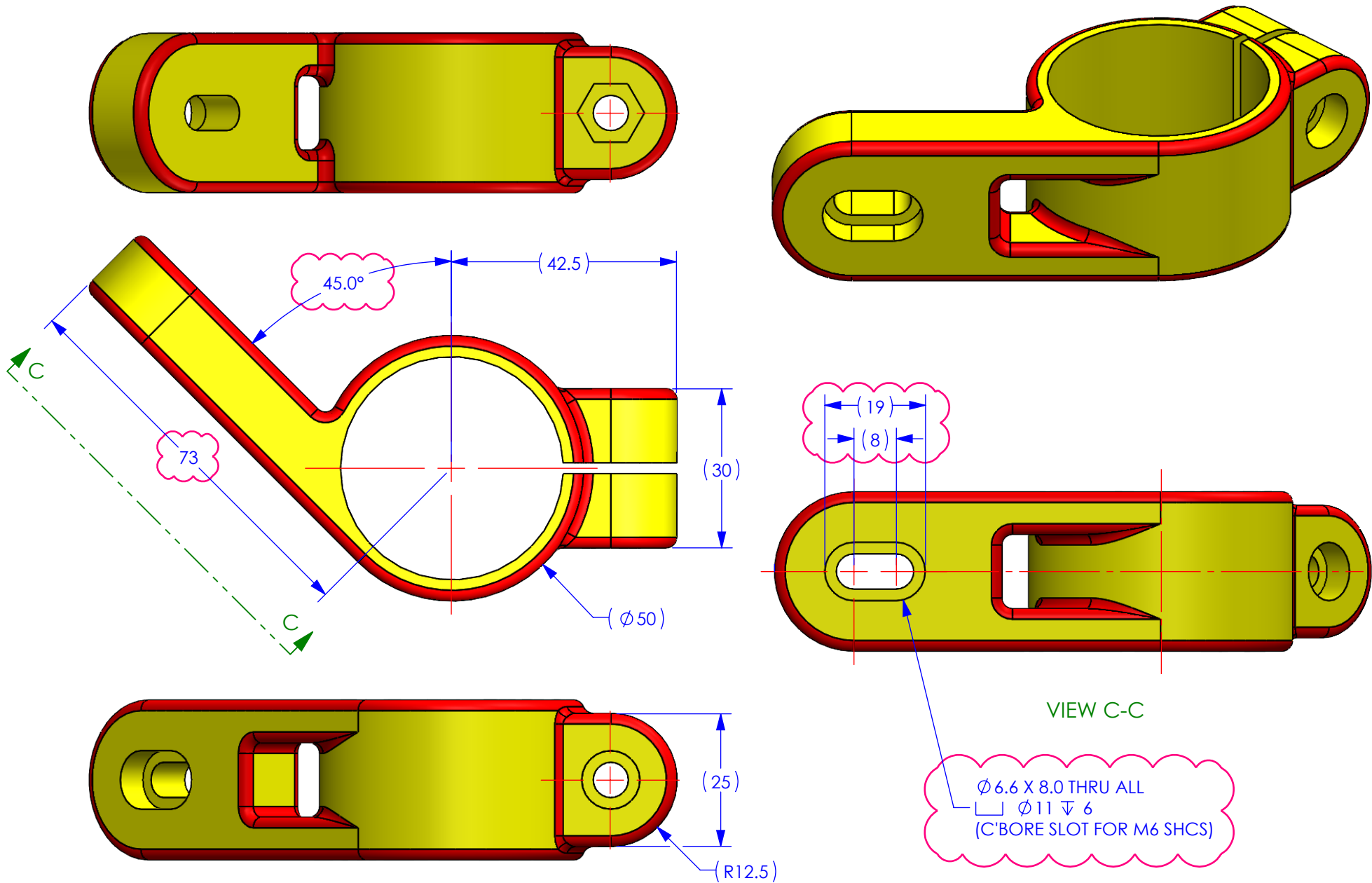
- NOTES:
 1. ALL DIMENSIONS ARE IN MILLIMETERS
 2. MATERIAL: PLAIN CARBON STEEL

THIRD ANGLE PROJECTION



PROPRIETARY AND CONFIDENTIAL		
THE INFORMATION CONTAINED IN THIS DRAWING IS THE SOLE PROPERTY OF SOLIDWORKS. ANY REPRODUCTION IN PART OR AS A WHOLE WITHOUT THE WRITTEN PERMISSION OF SOLIDWORKS IS PROHIBITED.		
DRAWN BY:	JMD	DATE
		01-01-23
MATERIAL:	PLAIN CARBON STEEL	SCALE: 1:1

MODEL MANIA® 2023
Phase 1



NOTES:

1. ALL DIMENSIONS ARE IN MILLIMETERS
2. MATERIAL: PLAIN CARBON STEEL
3. MAKE CHANGES AS INDICATED IN RED REVISION CLOUDS.
4. ALL OTHER DIMENSIONS REMAIN THE SAME AS IN PHASE 1.

THIRD ANGLE PROJECTION



PROPRIETARY AND CONFIDENTIAL		
<small>THE INFORMATION CONTAINED IN THIS DRAWING IS THE SOLE PROPERTY OF SOLIDWORKS. ANY REPRODUCTION IN PART OR AS A WHOLE WITHOUT THE WRITTEN PERMISSION OF SOLIDWORKS IS PROHIBITED.</small>		
DRAWN BY:	NAME	DATE
JMD	JMD	01-01-23
MATERIAL:	PLAIN CARBON STEEL	

MODEL MANIA® 2023
Phase 2

SCALE: 1:1