



Electric Ride-On Toy Car

Document book

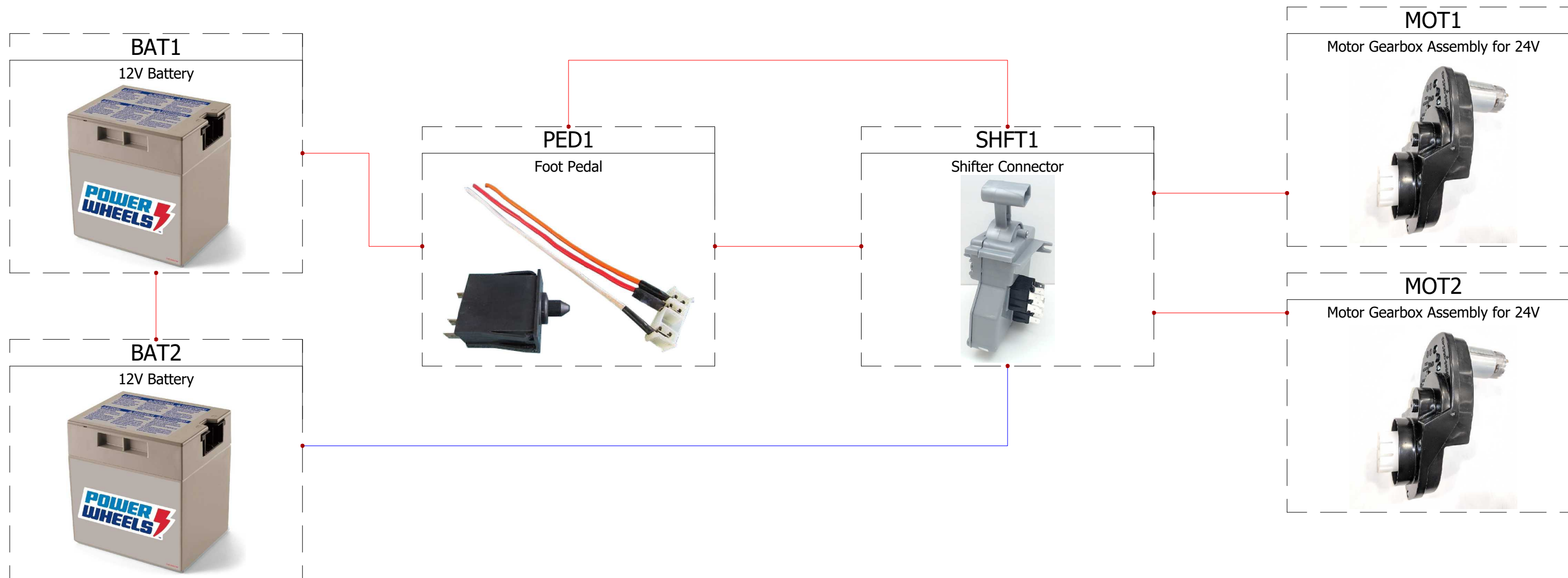
REV.	DATE	NAME	CHANGES	REVISION
1	6/10/2021	LSTIURCA		1
0	5/16/2021	LSTIURCA	Initial Design	
			CONTRACT:	SCHEME
			User data 1	01
			User data 2	

1-Document book

Drawing	Description	Revision	Date	Created by
01	Cover page	1	6/10/2021	LSTIURCA
02	Drawings list	1	6/10/2021	LSTIURCA
03	Line diagram	1	6/10/2021	LSTIURCA
04	Schematic	1	6/10/2021	LSTIURCA
05	Ride-on Electric Unicorn Car	1	6/10/2021	LSTIURCA
06	List of wires by line style	1	6/10/2021	LSTIURCA
07	Bill Of Materials grouped by manufacturer	1	6/10/2021	LSTIURCA

SOLIDWORKS Electrical

		Drawings list					REVISION
							1
		1	6/10/2021	LSTIURCA			
		0	5/16/2021	LSTIURCA			
		REV.	DATE	NAME	CHANGES		
CONTRACT:		LOCATION:		Main electrical closet		User data 1	User data 2
		L1					SCHEME
							02



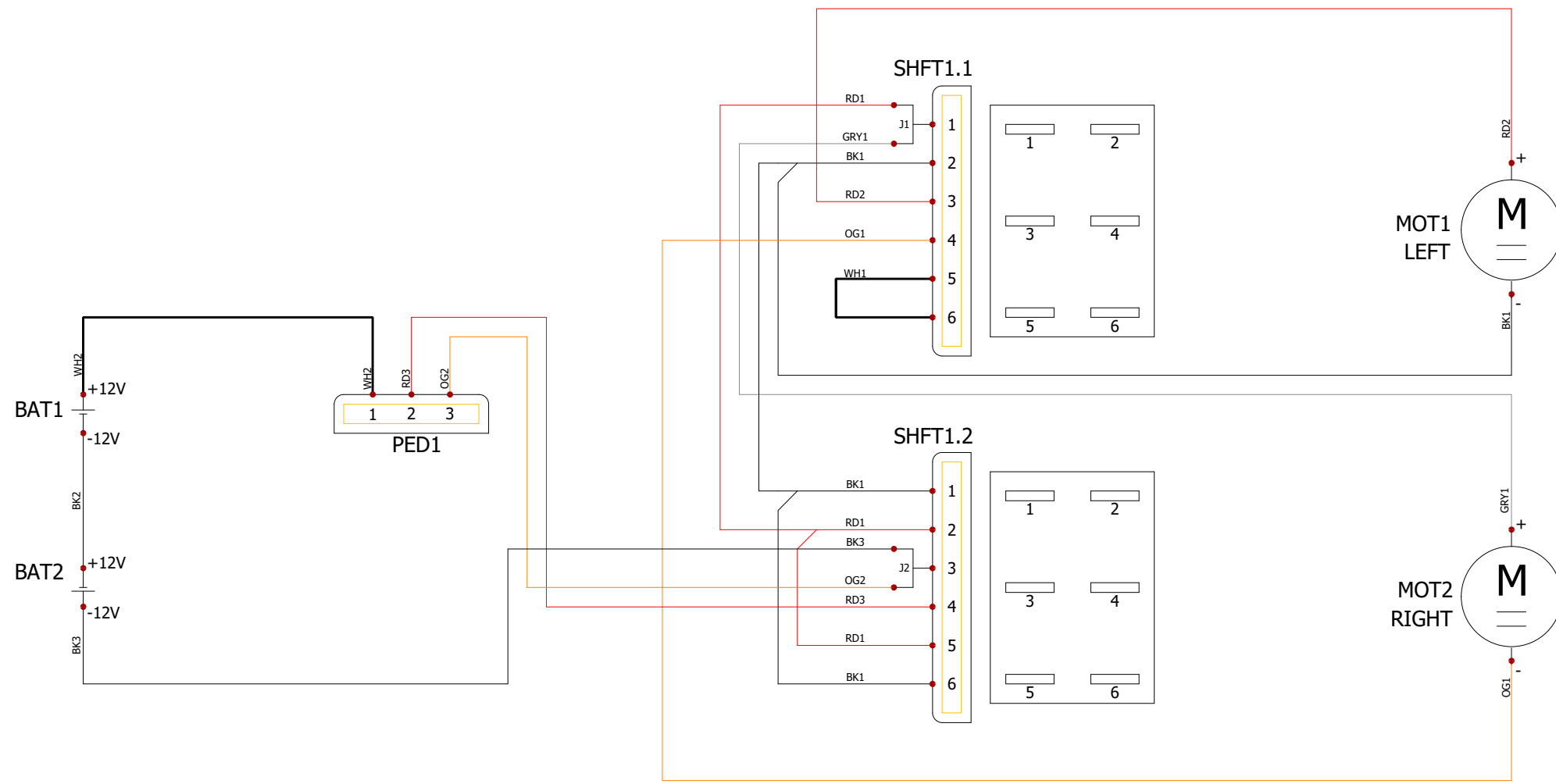
Line diagram

REV.	DATE	NAME	CHANGES	REVISION
1	6/10/2021	LSTIURCA		1
0	5/16/2021	LSTIURCA		
				SCHEME
				03

CONTRACT: LOCATION: L1 Main electrical closet

User data 1

User data 2



Schematic

CONTRACT: LOCATION: L1 Main electrical closet

REV.	DATE	NAME	CHANGES
1	6/10/2021	LSTIURCA	
0	5/16/2021	LSTIURCA	Upgraded to 24V

User data 1 User data 2

REVISION 1
SCHEME 04

14AWG Black

Origin	Destination	Wire number	Length (mm)
BAT1:-12V	BAT2:+12V	BK2	152.4
BAT2:-12V	J2	BK3	860.13
SHFT1.1:2	MOT1:-	BK1	361.44
SHFT1.2:1	SHFT1.1:2	BK1	59.85
SHFT1.2:1	SHFT1.2:6	BK1	106.32
			1540.14

14AWG White

Origin	Destination	Wire number	Length (mm)
BAT1:+12V	PED1:1	WH2	401.33
SHFT1.1:5	SHFT1.1:6	WH1	21.37
			422.7

14AWG Gray

Origin	Destination	Wire number	Length (mm)
J1	MOT2:+	GRY1	439.29
			439.29

14AWG Orange

Origin	Destination	Wire number	Length (mm)
J2	PED1:3	OG2	509.91
MOT2:-	SHFT1.1:4	OG1	402.51
			912.42

14AWG Red

Origin	Destination	Wire number	Length (mm)
SHFT1.2:5	SHFT1.2:2	RD1	63.69
MOT1:+	SHFT1.1:3	RD2	349.17
SHFT1.2:4	PED1:2	RD3	514.09
J1	SHFT1.2:2	RD1	68.59
			995.54

SOLIDWORKS Electrical

List of wires by line style

CONTRACT:	LOCATION: L1	Main electrical closet	1	6/10/2021	LSTIURCA	CHANGES	REVISION
			0	5/26/2021	LSTIURCA		1
			REV.	DATE	NAME		SCHEME
			User data 1				User data 2

ML Toys

	Reference	Mark	Description	Quantity
1	STAGE-IV-WRANGLER	MOT1, MOT2	Motor Gearbox Assembly for 24V	2

Power Wheels

	Reference	Mark	Description	Quantity
1	3900-7349	PED1	Foot Pedal	1
2	74310-9239	SHFT1	Shifter Connector	2
3	74310-9239-1	SHFT1	Shifter	1
4	74777	BAT1, BAT2	12V Battery	2
5	JOIN	J1, J2	JOIN	2

SOLIDWORKS Electrical

Bill Of Materials grouped by manufacturer

REV.	DATE	NAME	CHANGES	REVISION
1	6/10/2021	LSTIURCA		1
0	7/4/2021	LSTIURCA		
				SCHEME
				07

CONTRACT: LOCATION: L1 Main electrical closet

User data 1

User data 2